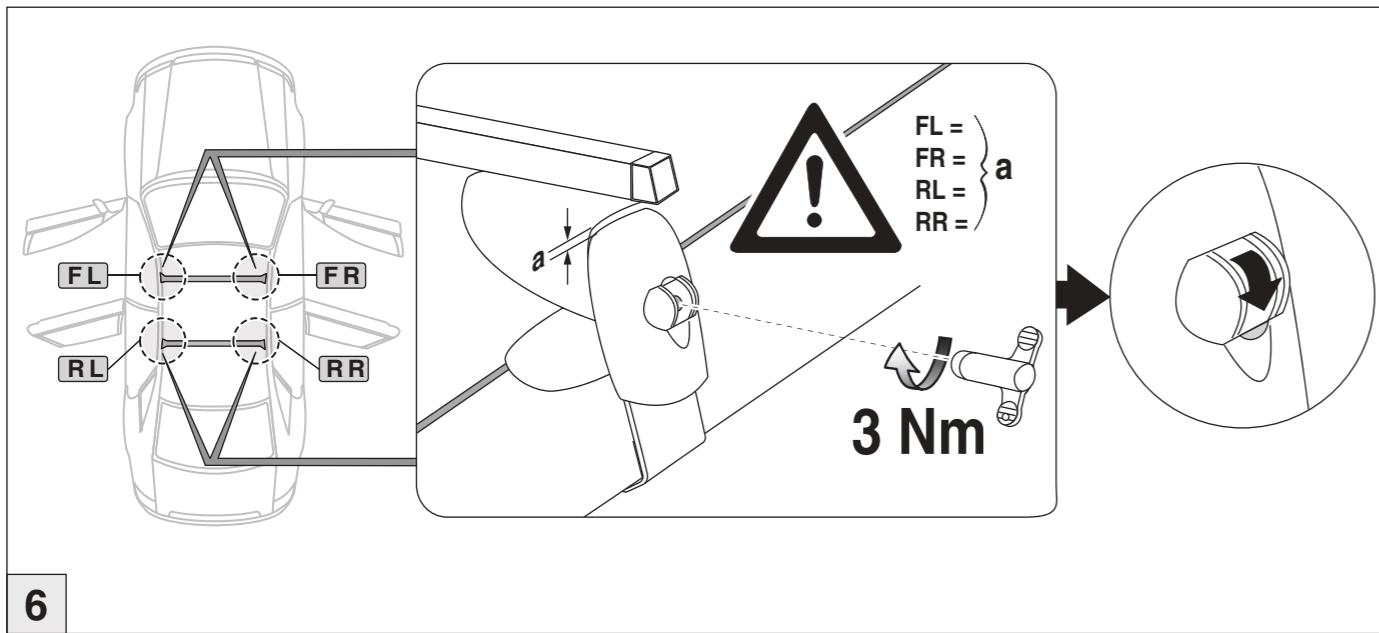


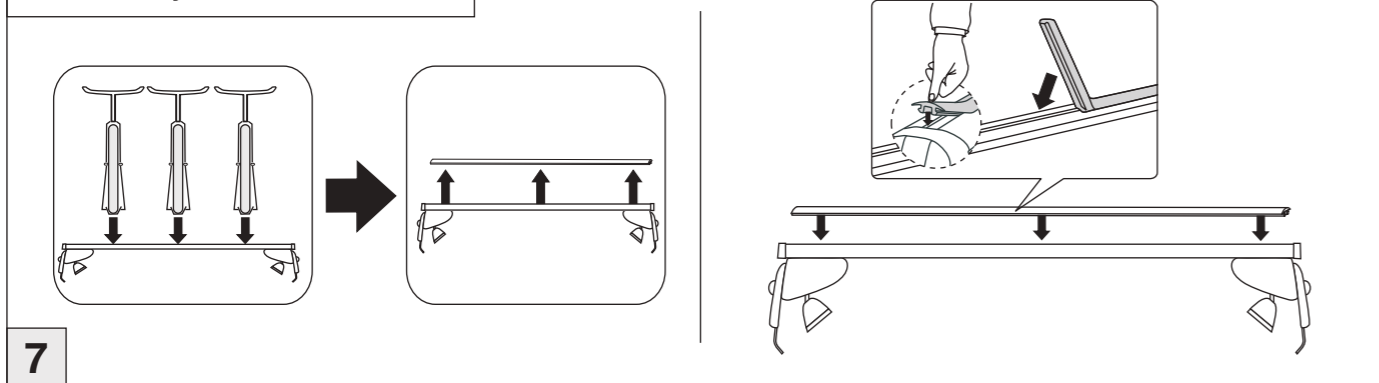
Atera SIGNO

Ford
Mondeo Limousine 4/5-türig/doors/portes 07/2015-

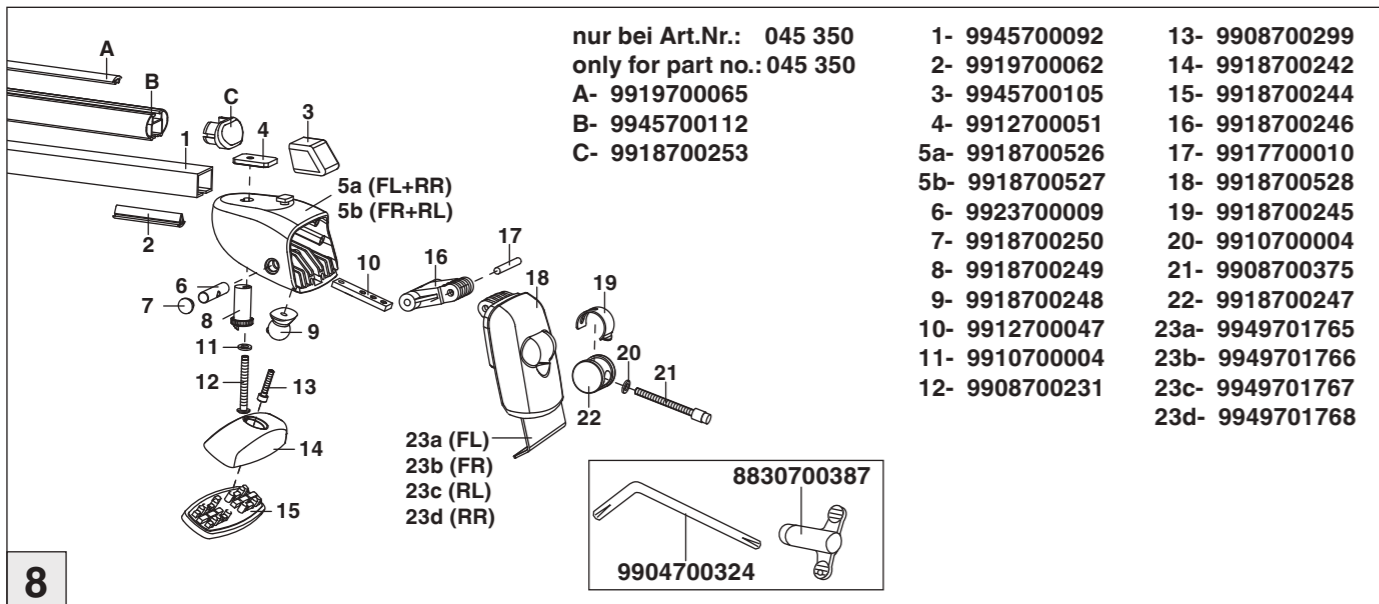


6

nur bei / only for Part-No.: 045 350



7

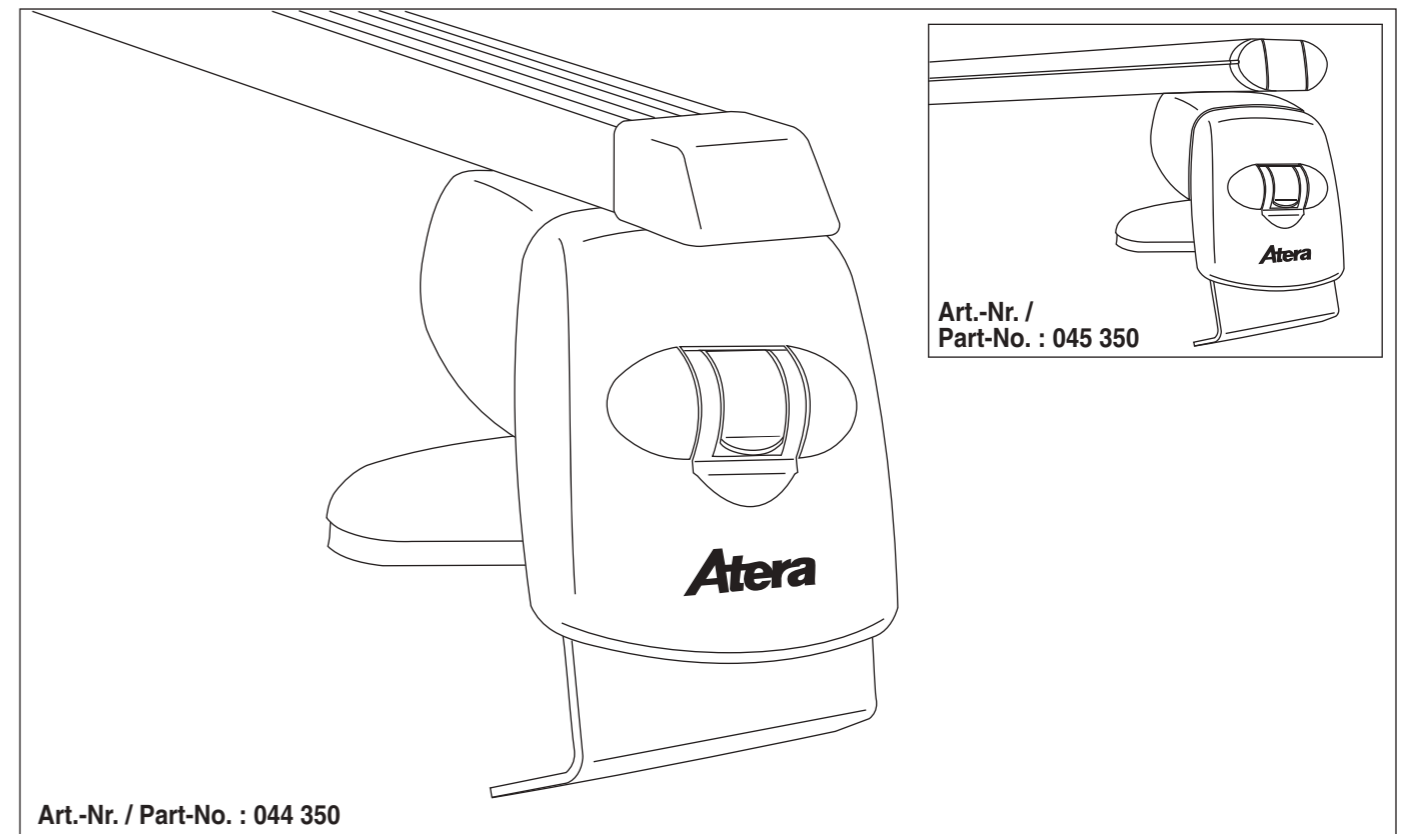
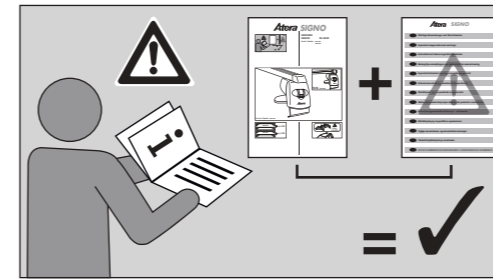


8

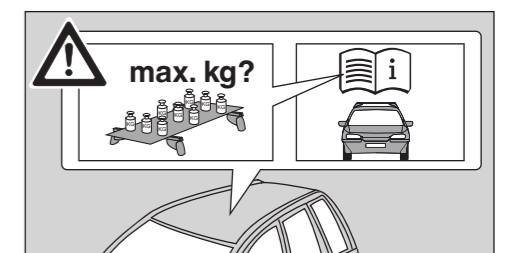
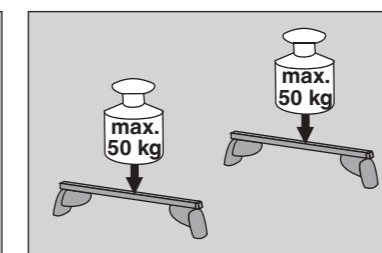
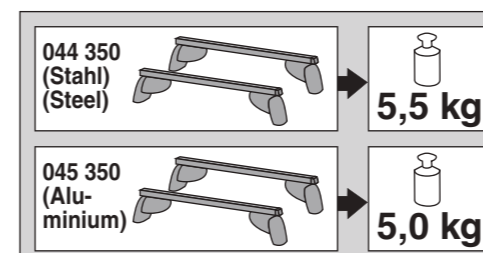
Atera SIGNO

Ford
Mondeo Limousine 07/2015-
(4/5-türig/doors/portes)

Art.-Nr. / Part-No. : 044 350
Art.-Nr. / Part-No. : 045 350



Art.-Nr. / Part-No. : 044 350



Atera
MADE IN GERMANY

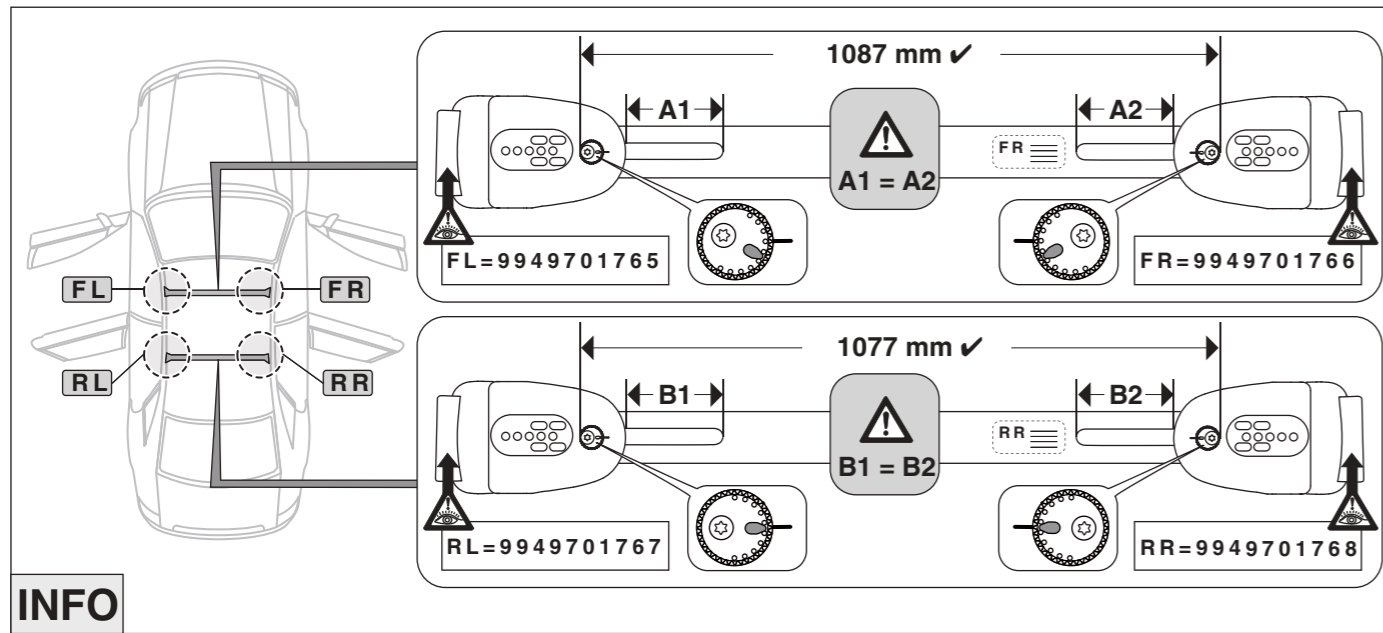
Atera GmbH
Im Herrach 1
D-88299 Leutkirch
Internet: www.atera.de



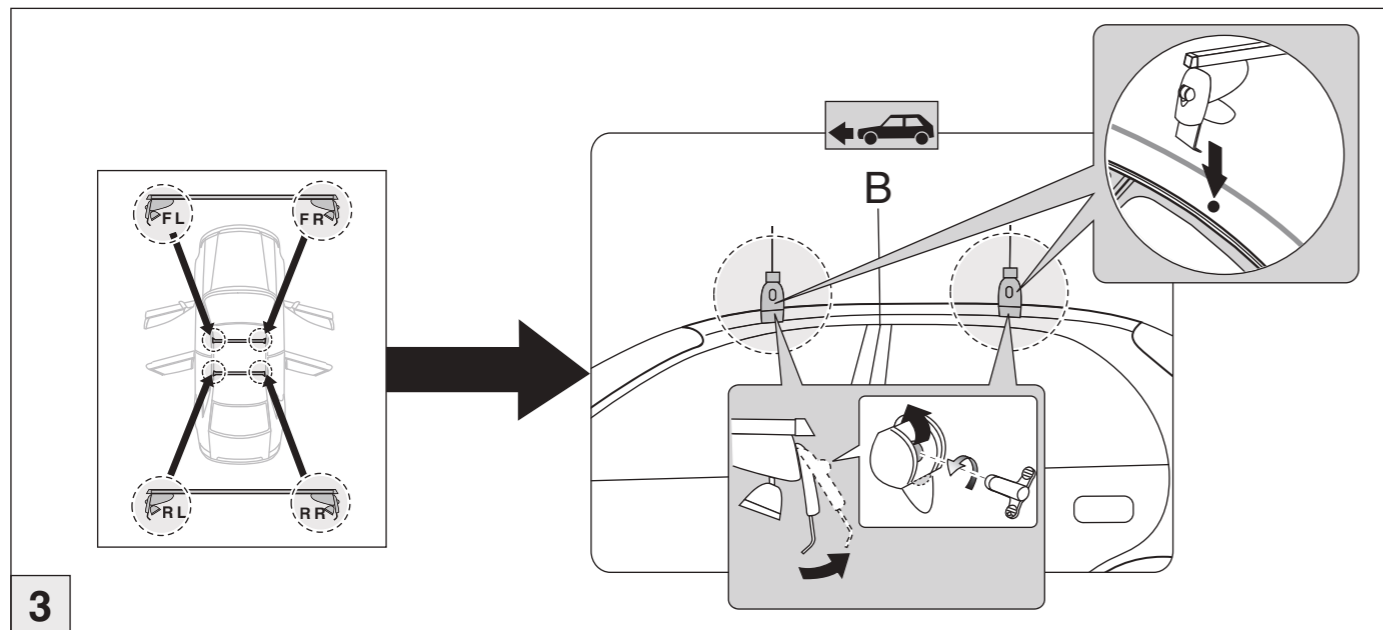
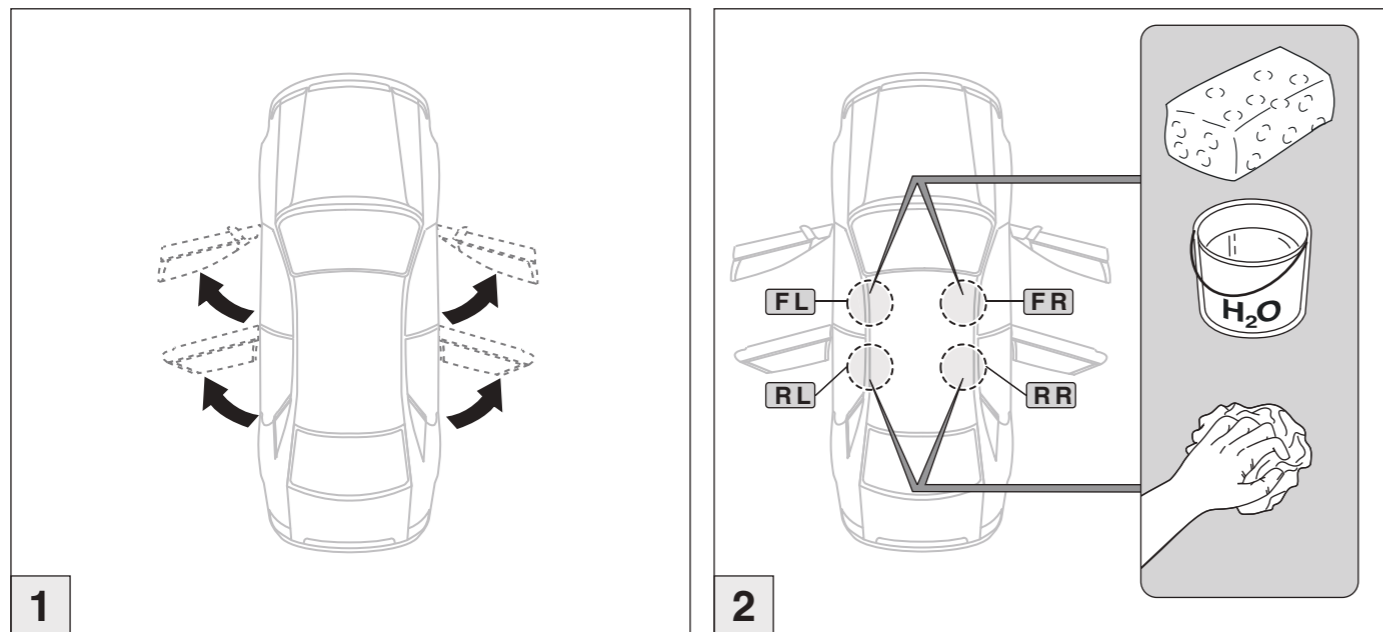
© ATERA GmbH
Ref.-Nr.: 044 350_096454435000_992570050200
Ref.-Nr.: 045 350_096454535000_992570050200
Stand/State: 05/07/2017 - Rev 00 Ver 00

Atera SIGNO

Ford
Mondeo Limousine 4/5-türig/doors/portes 07/2015–



INFO



Atera SIGNO

Ford
Mondeo Limousine 4/5-türig/doors/portes 07/2015–

