

Atera SIGNO

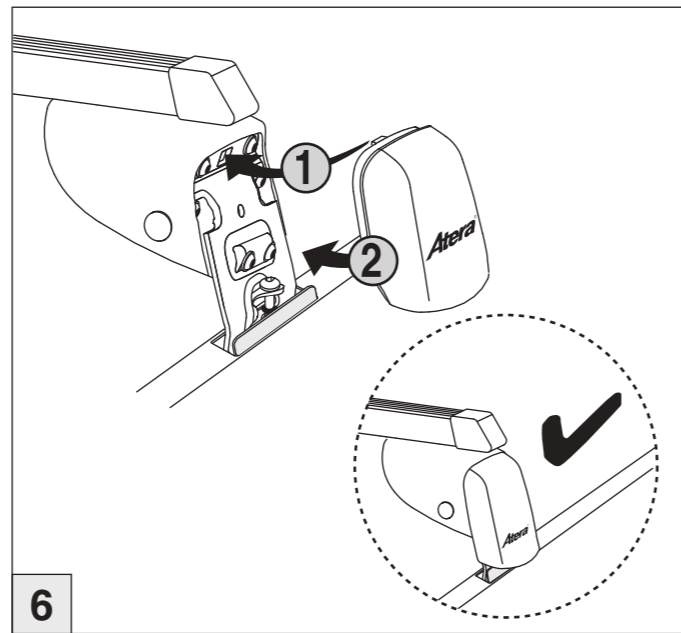
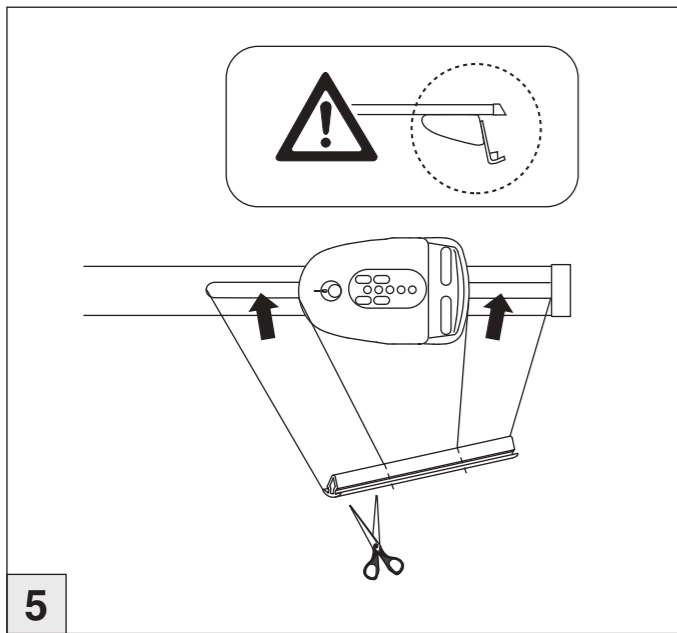
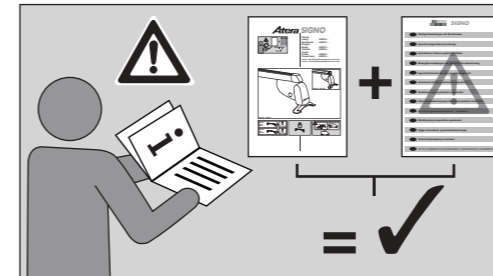
Toyota Proace + Proace Verso 09/2016 –

Citroën Jumpy + Spacetourer 09/2016 –
Peugeot Expert + Traveller 09/2016 –

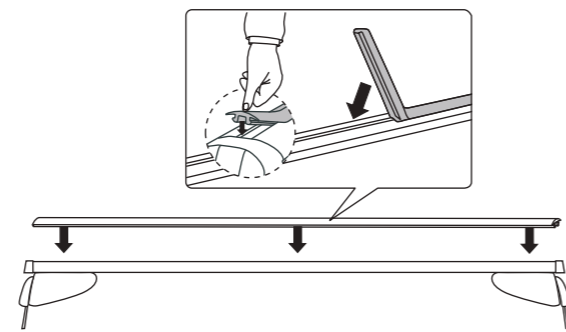
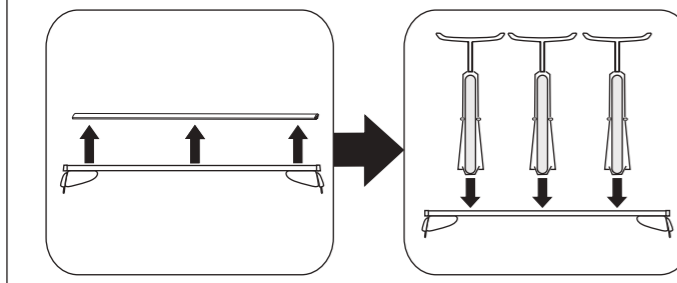
Atera SIGNO

Citroën Jumpy 09/2016 –
Spacetourer 09/2016 –
Peugeot Expert 09/2016 –
Traveller 09/2016 –
Toyota Proace 09/2016 –
Proace Verso 09/2016 –

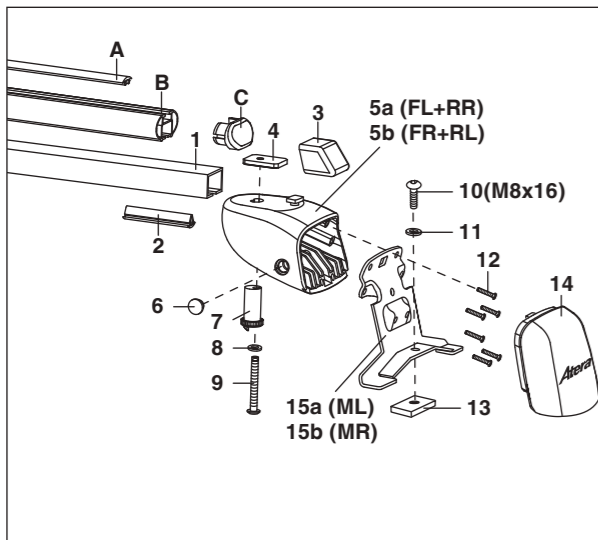
Part-No. : 044 345 (Ergänzungsträger/extra carrier bow)
Part-No. : 045 345 (Ergänzungsträger/extra carrier bow)



nur bei / only for Part-No.: 045 345

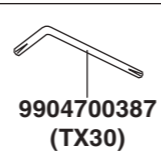


7

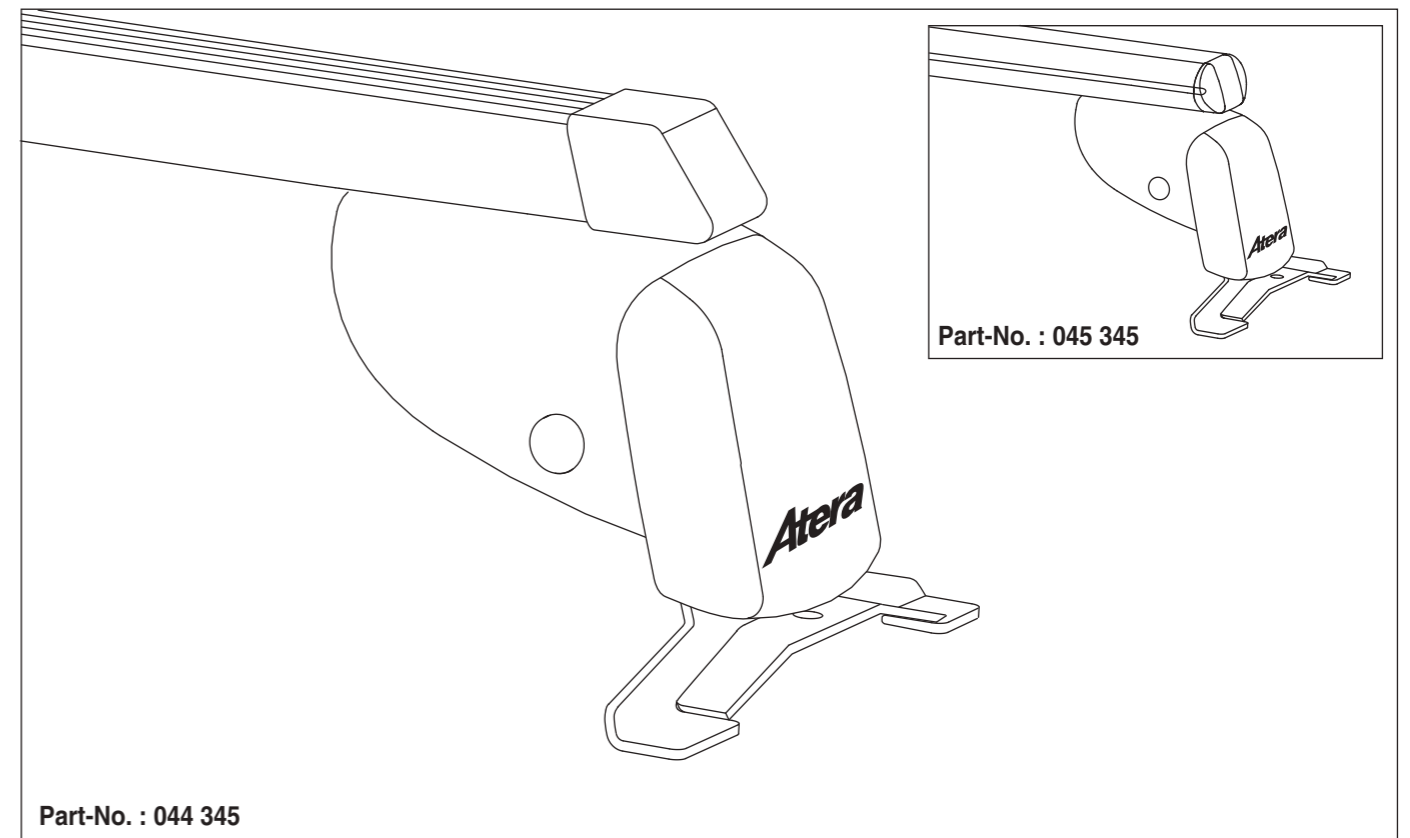


nur bei Art.Nr.: 045 345 11- 9910700036
only for part no.: 045 345 12- 9908700010
A- 9919700065 13- 9912005613
B- 9945700113 14- 9918700243
C- 9918700253 15a- 9949701738
15b- 9949701738

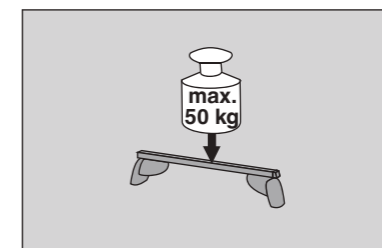
1- 9945700093
2- 9919700062
3- 9945700105
4- 9912700051
5a- 9918700526
5b- 9918700527
6- 9918700250
7- 9918700249
8- 9910700004
9- 9908700231
10- 9908700224



8



044 345 (Stahl) (Steel)			2,2 kg
045 345 (Alu- minium)			2,0 kg



Atera
MADE IN GERMANY

Atera GmbH
Im Herrach 1
D-88299 Leutkirch
Internet: www.atera.de

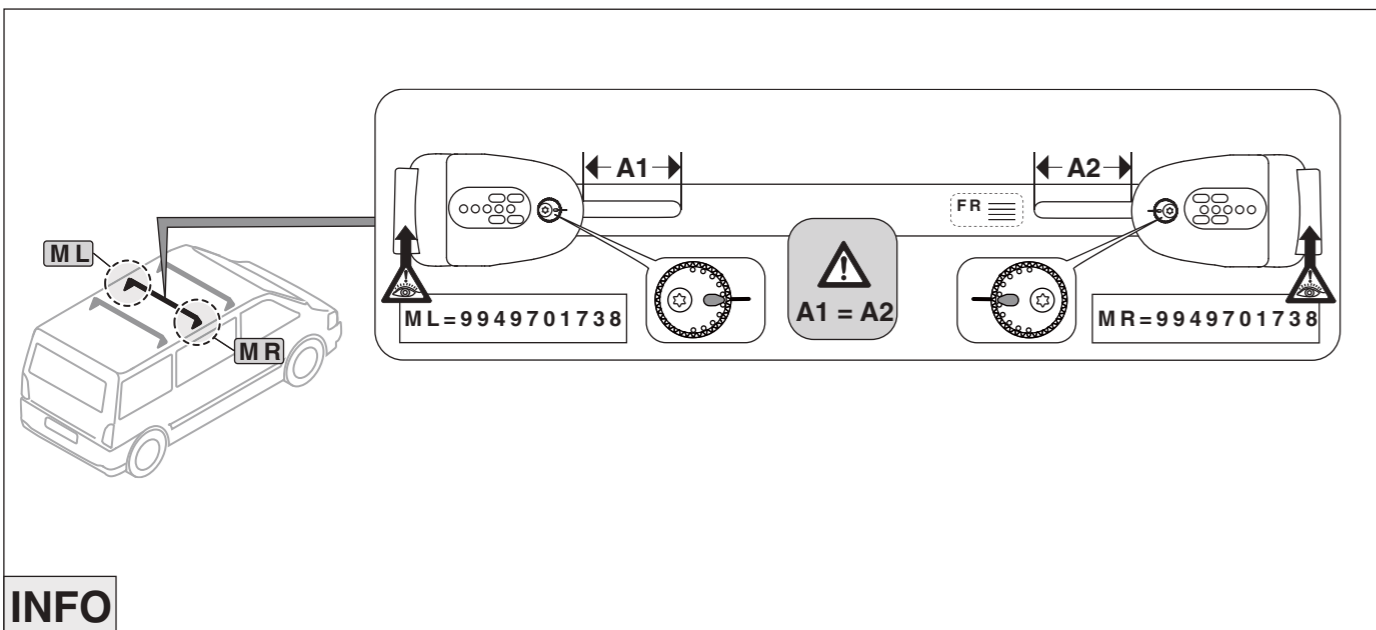


© ATERA GmbH
Ref.-Nr.: 044 345_096434434500_992570050200
Ref.-Nr.: 045 345_096434534500_992570050200
Stand/State: 27/02/2017 – Rev 00 Ver 00

Atera SIGNO

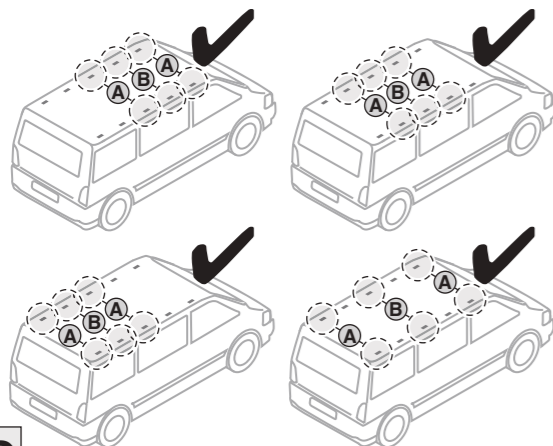
Toyota Proace + Proace Verso 09/2016 –

Citroën Jumpy + Spacetourer 09/2016 –
Peugeot Expert + Traveller 09/2016 –

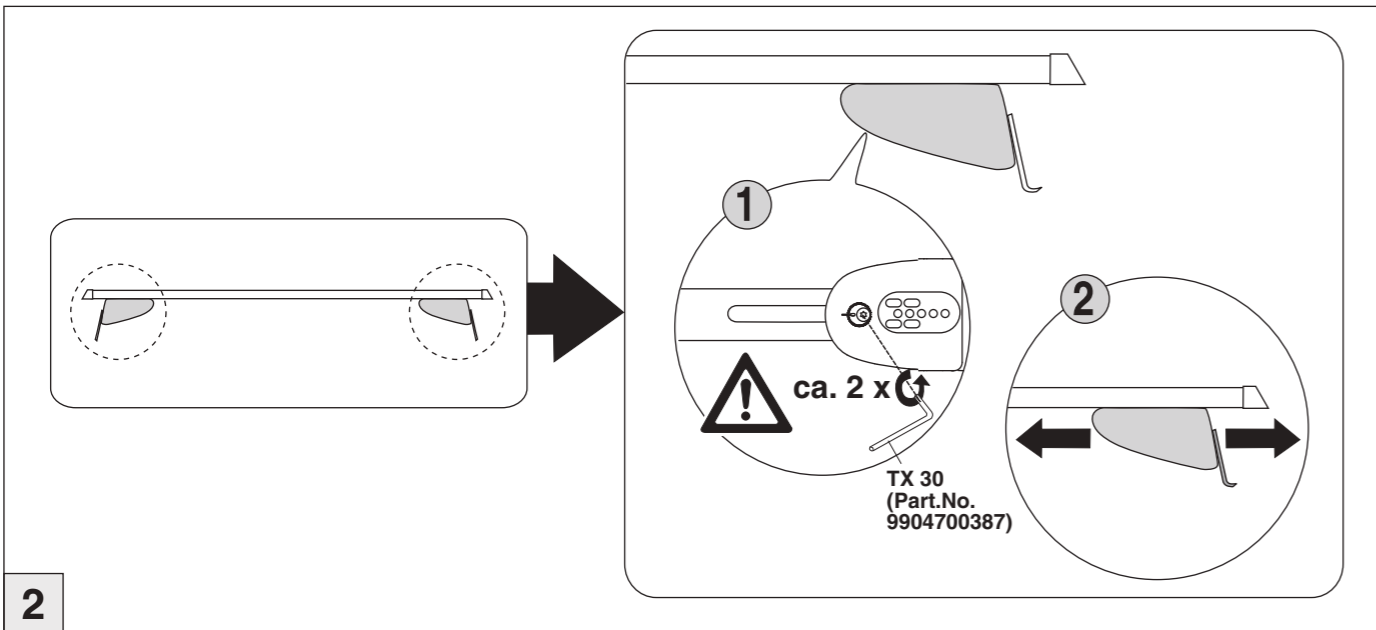
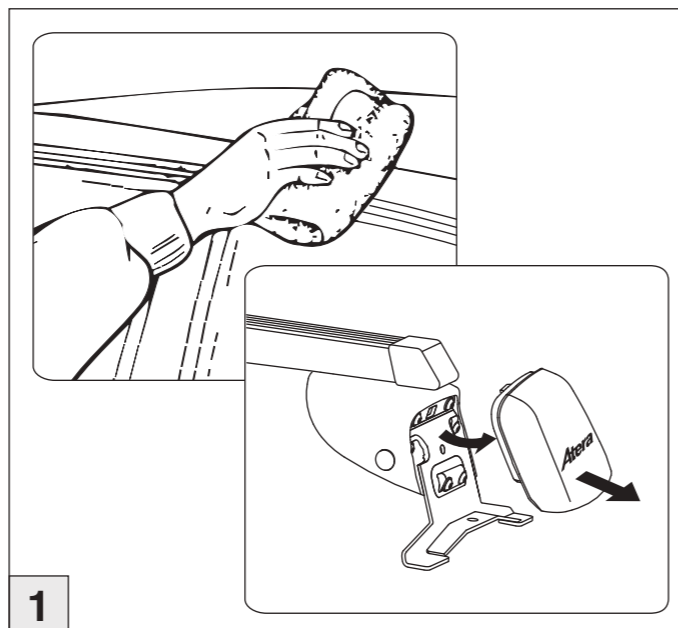


INFO

- A** = Grundträger / basic carrier (044 344 / 045 344)
- B** = Ergänzungsträger / extra carrier bow (044 345 / 045 345)
(immer in mittlerer Position zwischen den Grundträgern /
always in middle position between the basic carrier bows)



INFO

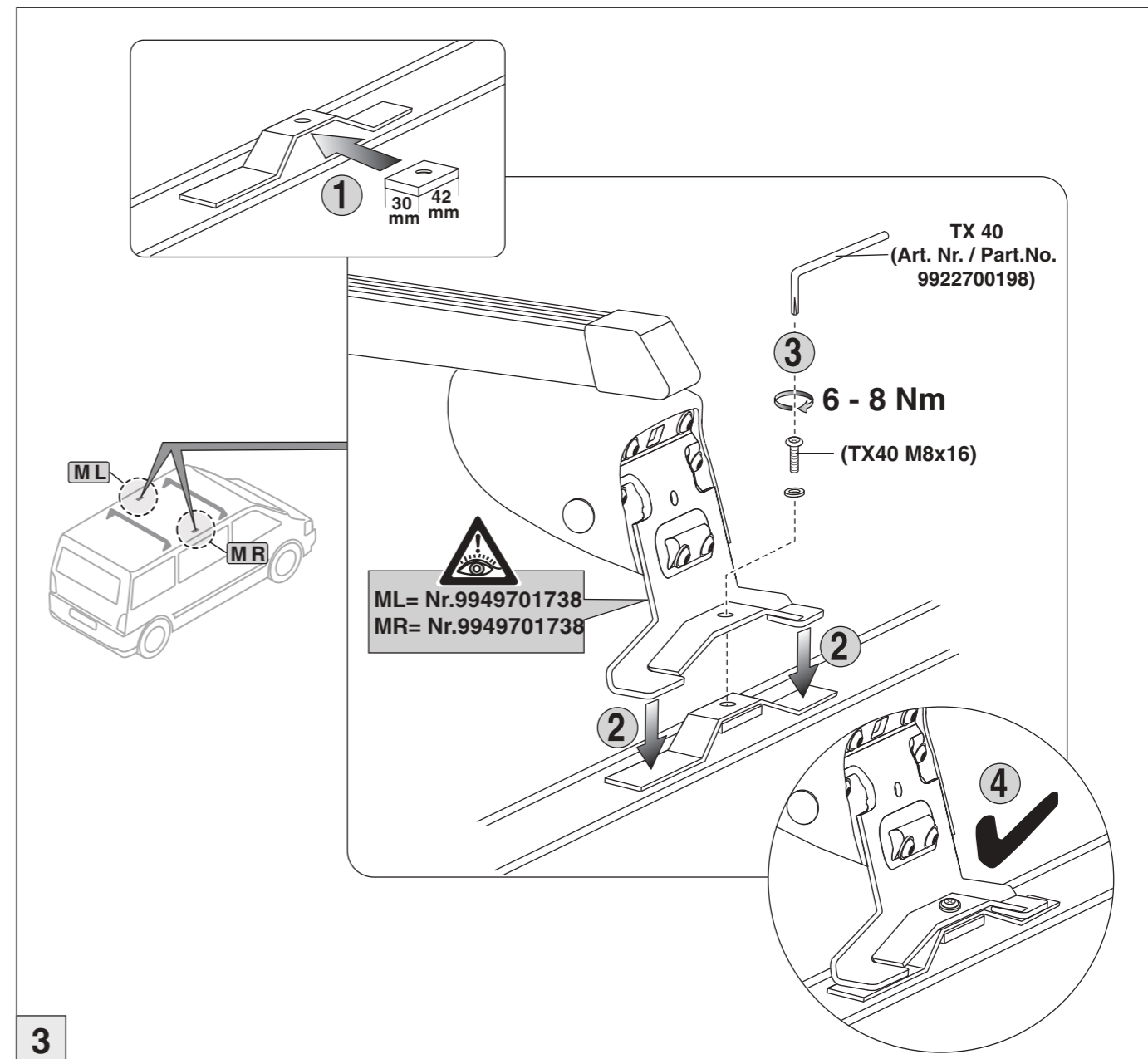


2

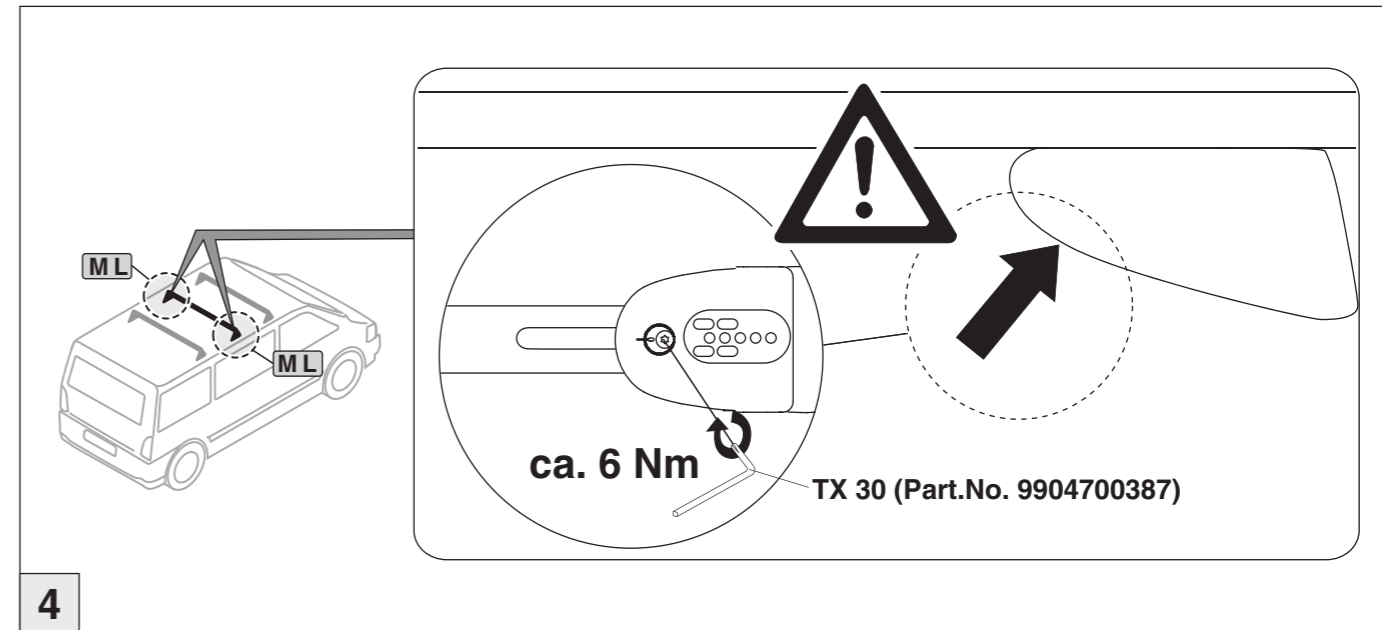
Atera SIGNO

Toyota Proace + Proace Verso 09/2016 –

Citroën Jumpy + Spacetourer 09/2016 –
Peugeot Expert + Traveller 09/2016 –



3



4